



DILSHAD ANSARI

International Sea Cargo

Business Consultant

Washing Machine & A/C Parts

International Cargo



+91 77385 11977

Email: mayoelectricals@gmail.com

Address: Sundar Kamala Nagar Sion Rd Sion Mumbai-400022



MAYO ELECTRICALS

Mayo Electricals Pvt Ltd was established in 1998 to supply spare parts for HVAC/R industry. Over the past years, **Mayo Electricals** has earned its reputation as the leading supplier among customers due to its experience, professionalism and integrity.

Dedicated **Mayo Electricals** team attends to each customer's specific requirements and helps customers make informed buying decisions



MAYO

ELECTRICALS



+91 77385 11977

Email: mayoelectricals@gmail.com

Address: Sundar Kamala Nagar Sion Rd Sion Mumbai-400022



ABOUT US

Mayo Electricals Pvt Ltd was established in 1998 to supply spare parts for HVAC/R industry. Over the past years, **Mayo Electricals** has earned its reputation as the leading supplier among customers due to its experience, professionalism and integrity.

Dedicated **Mayo Electricals** team attends to each customer's specific requirements and helps customers make informed buying decisions

OUR MISSION

Mayo Electricals Pvt Ltd will use wide knowledge in products and services, to supply the most suitable refrigeration parts and system solution to our customer.

OUR VISION

Mayo Electricals Pvt Ltd is committed to providing the best services and meeting the needs of businesses through reliable quality, competitive price, and rapid delivery.

Our hope is to be the most professional One-Stop HVAC/R parts and system solution supplier.



It is Applied in Electric Fan, Exhaust Fan, Electric Pump, & Electric Sewing Machine, Etc. It is Helpful for Motor's Starting & Running.

15 MFD (4+2 PINS)	50*85
20 MFD (4+2 PINS)	50*85
25 MFD (4+2 PINS)	50*85
25+2 MFD (4C+3HERM+2FAN PINS)	50*105
25+2.5 MFD (4C+3HERM+2FAN PINS)	50*105
25+3 MFD (4C+3HERM+2FAN PINS)	50*105
25+4 MFD (4C+3HERM+2FAN PINS)	50*105
25+6 MFD (4C+3HERM+2FAN PINS)	50*105
25+7.5 MFD (4C+3HERM+2FAN PINS)	50*105
25+10 MFD (4C+3HERM+2FAN PINS)	50*105
30 MFD (4+2 PINS)	50*85
30+2 MFD (4C+3HERM+2FAN PINS)	50*105
30+2.5 MFD (4C+3HERM+2FAN PINS)	50*105
30+3 MFD (4C+3HERM+2FAN PINS)	50*105
30+4 MFD (4C+3HERM+2FAN PINS)	50*105
30+5 MFD (4C+3HERM+2FAN PINS)	50*105
30+6 MFD (4C+3HERM+2FAN PINS)	50*105
30+7.5 MFD (4C+3HERM+2FAN PINS)	50*105
30+10 MFD (4C+3HERM+2FAN PINS)	50*105
35MFD (4+2 PINS)	50*85
35+2 MFD (4C+3HERM+2FAN PINS)	50*105
35+2.5 MFD (4C+3HERM+2FAN PINS)	50*105
35+3 MFD (4C+3HERM+2FAN PINS)	50*105
35+4 MFD (4C+3HERM+2FAN PINS)	50*105
35+5 MFD (4C+3HERM+2FAN PINS)	50*105
35+6 MFD (4C+3HERM+2FAN PINS)	50*105
35+7.5 MFD (4C+3HERM+2FAN PINS)	50*105
35+10 MFD (4C+3HERM+2FAN PINS)	50*105
36MFD (2+2 PINS)	50*85
36 MFD (4+2 PINS)	50*85
36+2 MFD (4C+3HERM+2FAN PINS)	50*105
36+2.5 MFD (4C+3HERM+2FAN PINS)	50*105
36+3 MFD (4C+3HERM+2FAN PINS)	50*105
36+4 MFD (4C+3HERM+2FAN PINS)	50*105
36+5 MFD (4C+3HERM+2FAN PINS)	50*105
36+6 MFD (4C+3HERM+2FAN PINS)	50*105
36+7.5 MFD (4C+3HERM+2FAN PINS)	50*105
36+10 MFD (4C+3HERM+2FAN PINS)	50*105
40 MFD (4+2 PINS)	50*100
40+2 MFD (4C+3HERM+2FAN PINS)	50*110
40+2.5 MFD (4C+3HERM+2FAN PINS)	50*110

40+3 MFD (4C+3HERM+2FAN PINS)	50*110
40+4 MFD (4C+3HERM+2FAN PINS)	50*110
40+5 MFD (4C+3HERM+2FAN PINS)	50*110
40+6 MFD (4C+3HERM+2FAN PINS)	50*110
40+7.5 MFD (4C+3HERM+2FAN PINS)	50*110
40+10 MFD (4C+3HERM+2FAN PINS)	50*110
45 MFD (2+2 PINS)	50*100
45 MFD (4+2 PINS)	50*100
45+2 MFD (4C+3HERM+2FAN PINS)	50*125
45+2.5 MFD (4C+3HERM+2FAN PINS)	50*125
45+3 MFD (4C+3HERM+2FAN PINS)	50*125
45+4 MFD (4C+3HERM+2FAN PINS)	50*125
45+5 MFD (4C+3HERM+2FAN PINS)	50*125
45+6 MFD (4C+3HERM+2FAN PINS)	50*125
45+7.5 MFD (4C+3HERM+2FAN PINS)	50*125
45+10 MFD (4C+3HERM+2FAN PINS)	50*125
50MFD (2+2 PINS)	50*100
50MFD (4+2 PINS)	50*100
50MFD (4+4 PINS)	50*100
50+2 MFD (4C+3HERM+2FAN PINS)	50*125
50+2.5 MFD (4C+3HERM+2FAN PINS)	50*125
50+3 MFD (4C+3HERM+2FAN PINS)	50*125
50+4 MFD(4C+3HERM+2FAN PINS)	50*125
50+5 (4C+3HERM+2FAN PINS)	50*125
50+6 MFD (4C+3HERM+2FAN PINS)	50*125
50+7.5 MFD (4C+3HERM+2FAN PINS)	50*125
50+10 (4C+3HERM+2FAN PINS)	50*125
55MFD (4+2 PINS)	50*110
55+2 MFD (4C+3HERM+2FAN PINS)	50*125
55+4 MFD(4C+3HERM+2FAN PINS)	50*125
55+5 MFD(4C+3HERM+2FAN PINS)	50*125
55+6 MFD (4C+3HERM+2FAN PINS)	50*125
55+7.5 MFD (4C+3HERM+2FAN PINS)	50*125
55+10 (4C+3HERM+2FAN PINS)	50*125
60MFD (4+2 PINS)	50*125
60+2 (4C+3HERM+2FAN PINS)	50*125
60+2.5 (4C+3HERM+2FAN PINS)	50*125
60+4 MFD(4C+3HERM+2FAN PINS)	50*125
60+6 (4C+3HERM+2FAN PINS)	50*125
60+7.5 MFD (4C+3HERM+2FAN PINS)	50*125
60+10 (4C+3HERM+2FAN PINS)	50*125

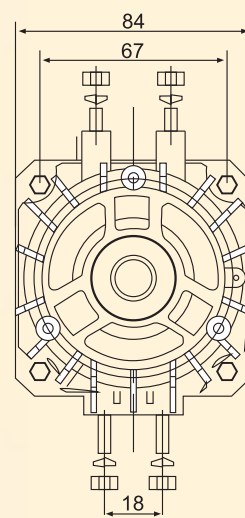
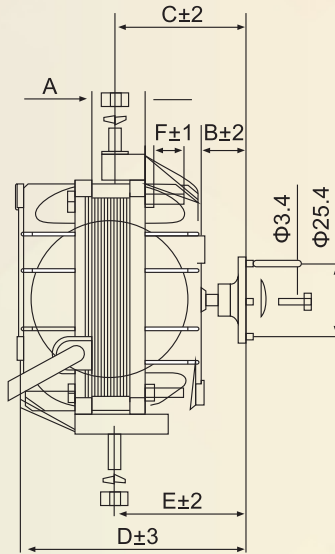
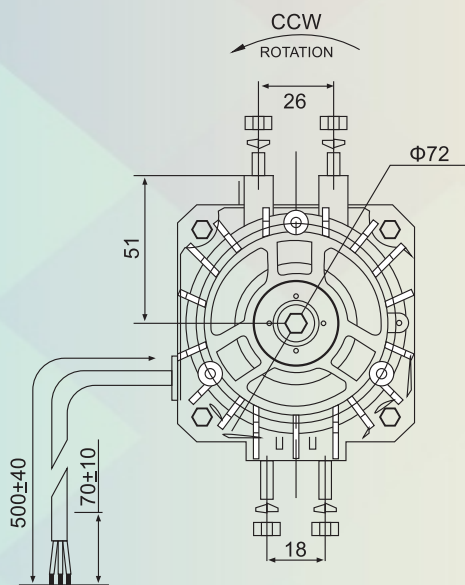


YZF 4C

4Q shaded Pole Motors



S1	FAN BLADE	Φ 172	240~300 m ³ /h
IP42		Φ 200	360~460 m ³ /h
B		Φ 230	480~680 m ³ /h
-30°C~50°C		Φ 250	700~1050 m ³ /h
		Φ 300	1100~1500m ³ /h



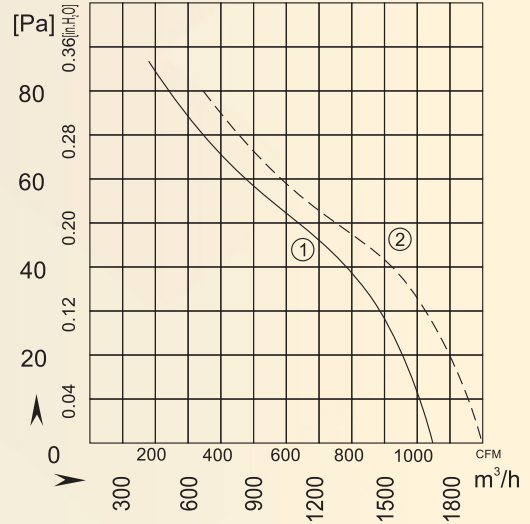
TYPE	VOLTAGE	FREQUENCY	RATED INPUT	OUTPUT	RATED CURRENT	RATED SPEED	AIR VOLUME	FAN BLADE	NET WEIGHT	A	B	C	D	E	LICENSE
	V	Hz	W	W	A	r/min	m ³ /h	mm	kg	mm	mm	mm	mm	mm	
YZF5-13-18/26	220-240	50/60	20	2	0.14	1300	260	Φ172	0.8	13	12	43	78	-	CE CCC RoHS
YZF5-13-18/26	220-240	50/60	29	5	0.20	1300	360	Φ200	0.8	13	12	43	78	-	CE CCC RoHS
YZF6-13-18/26	110-120	60	33	6	0.55	1550	430								
YZF7-20-18/26	220-240	50/60	31	7	0.23	1300	480	Φ230	1.1	19	13	44	85	-	CE CCC RoHS
YZF10-20-18/26	220-240	50/60	36	10	0.25	1300	500	Φ230	1.1	19	13	44	85	-	CE CCC RoHS
	110-120	60	55	10	0.80	1550	620								
YZF12-20-18/26	220-240	50/60	54	12	0.36	1300	720	Φ230	1.1	19	13	44	85	-	CE CCC RoHS
YZF16-25-18/26	220-240	50/60	60	16	0.45	1300	1000	Φ254	1.4	25	14	45	92	-	CE CCC RoHS
YZF18-25-18/26	110-120	60	70	18	1.01	1550	1050								
YZF18-30-18/26	220-240	50/60	70	18	0.50	1300	1050	Φ254	1.5	30	17	48	101	21	CE CCC RoHS
	110-120	60	75	18	1.10	1450									
YZF25-40-18/26	220-240	50/60	90	25	0.70	1300	1250	Φ300	1.8	40	18	49	112	31	CE CCC RoHS
	110-120	60	100	25	1.40	1450									
YZF34-45-18/26	220-240	50/60	110	34	0.85	1300	1400	Φ300	2.0	45	22	53	121	36	CE CCC RoHS
	110-120	60	110	34	1.50	1450									



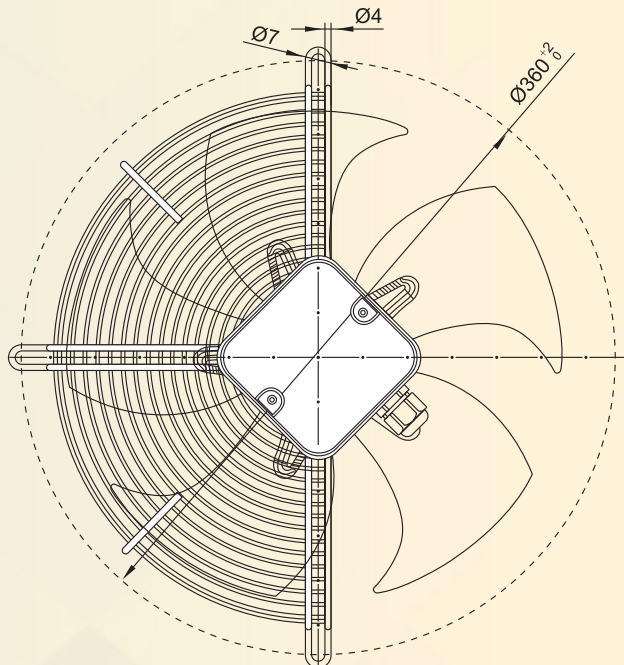
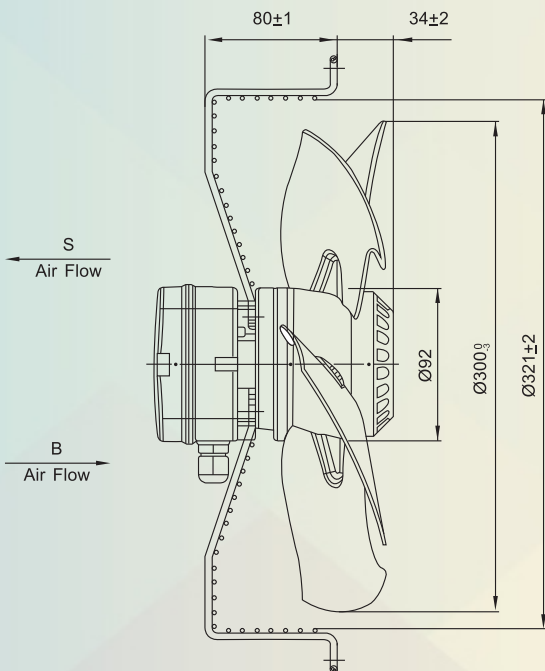
MAYO **YWF Φ 300**

YWF Φ 300 External Rotor Motor Axial Fan

IP44
 CCC CE
 -30°C ~ 60°C
 F



TYPE	VOLTAGE V	FREQUENCY Hz	CURRENT A	INPUT W	SPEED r/min	AIR FLOW m³/h / CFM	CAPACITANCE μF	NOISE dBA	CURVE NO. #	LICENSE
YWF 4E-300S	220/230	50	0.42	90	1350	1750/1029	3	52	①	CCC CE
		60	0.51	115	1600	2000/1176	3	55	②	CCC CE
YWF 4D-300S	380/400	50	0.25	90	1380	1750/1029	/	52	①	CCC CE
		60	0.26	120	1640	2000/1176	/	55	②	CCC CE

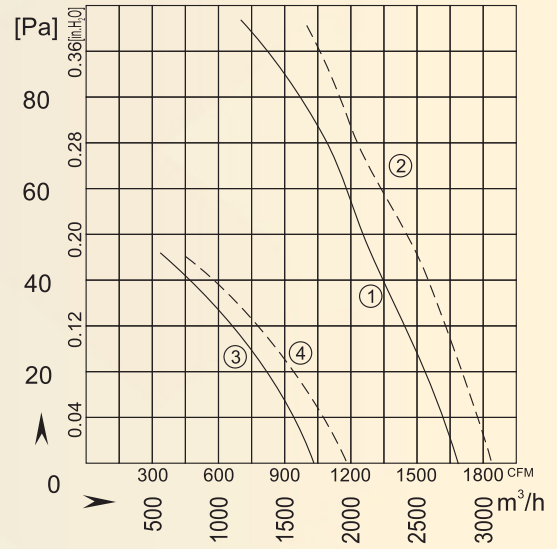




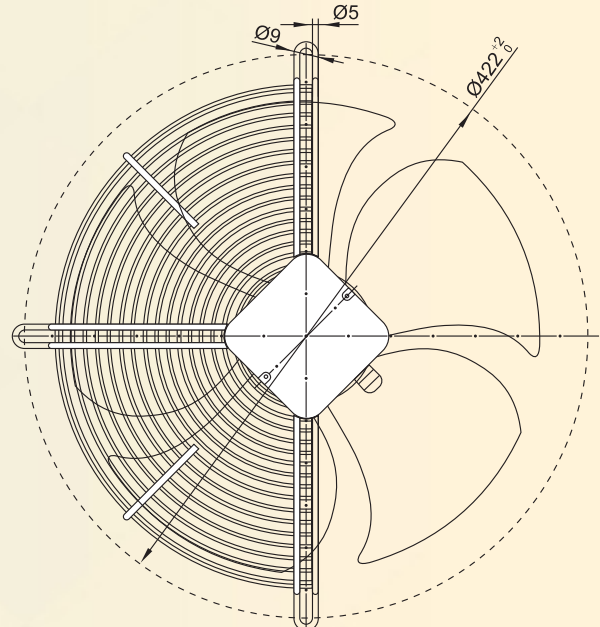
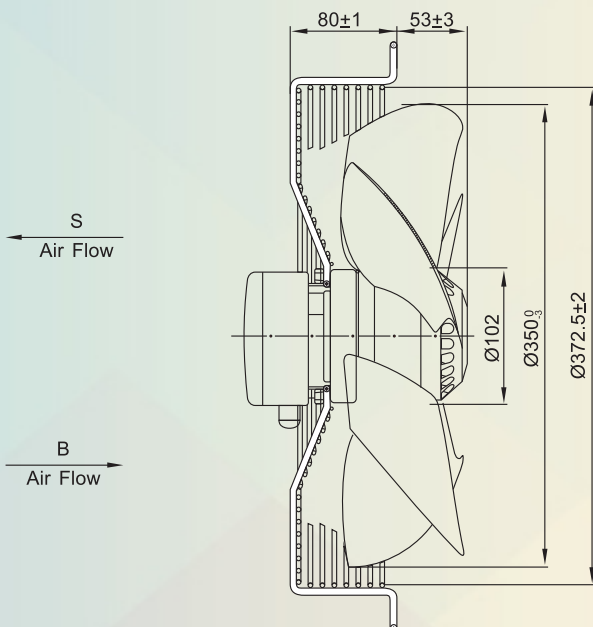
MAYO **YWF Φ 350**

YWF Φ 350 External Rotor Motor Axial Fan

- : IP54
- : CCC CE
- : -30°C ~ 60°C
- : F级



TYPE	VOLTAGE V	FREQUENCY Hz	CURRENT A	INPUT W	SPEED r/min	AIR FLOW m³/h / CFM	CAPACITANCE μF	NOISE dBA	CURVE NO. #	LICENSE
YWF 4E-350S	220/230	50	0.60	135	1380	2700/1588	4	58	①	CCC CE
		60	0.83	190	1550	3000/1765	4	60	②	CCC CE
YWF 4D-350S	380/400	50	0.30	135	1360	2700/1588	/	58	①	CCC CE
		60	0.34	170	1500	3000/1765	/	60	②	CCC CE
YWF 6E-350S	220/230	50	0.40	75	950	1560/920	3	53	③	CCC CE
		60	0.37	83	1100	1800/1060	3	54	④	CCC CE
YWF 6D-350S	380/400	50	0.29	70	920	1560/920	/	53	③	CCC CE
		60	0.20	80	1050	1800/1060	/	54	④	CCC CE

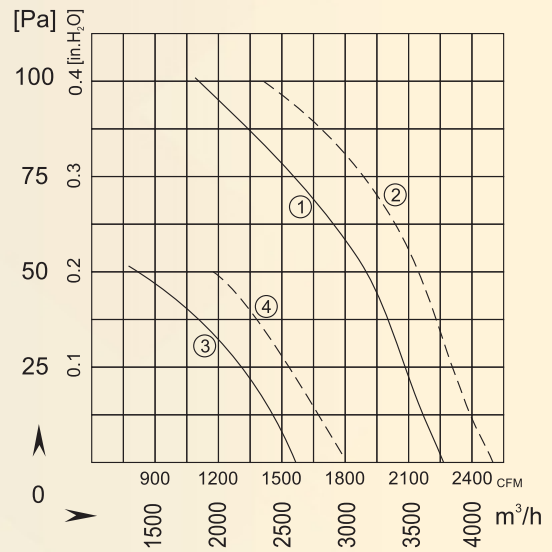




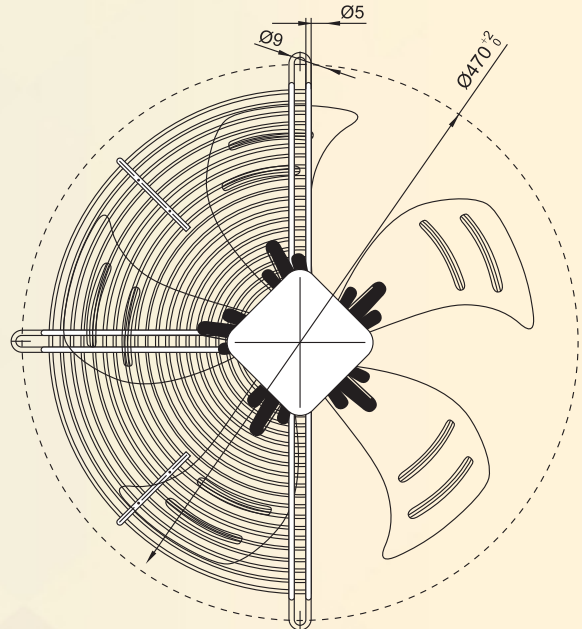
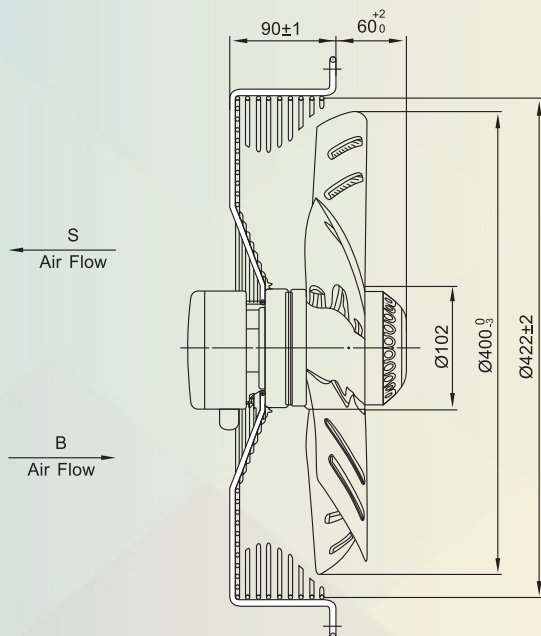
MAYO **YWF Φ 400**

YWF Φ 400 External Rotor Motor Axial Fan

: IP54
 : CCC CE
 : -30°C ~ 60°C
 : F级



TYPE	VOLTAGE V	FREQUENCY Hz	CURRENT A	INPUT W	SPEED r/min	AIR FLOW m³/h / CFM	CAPACITANCE μF	NOISE dBA	CURVE NO. #	LICENSE
YWF 4E-400S	220/230	50	0.90	180	1350	3700/2176	4	60	①	CCC CE
		60	1.22	260	1580	4100/2411	4	62	②	CCC CE
YWF 4D-400S	380/400	50	0.50	180	1370	3700/2176	/	60	①	CCC CE
		60	0.47	240	1620	4100/2411	/	62	②	CCC CE
YWF 6E-400S	220/230	50	0.50	100	950	2600/1530	4	49	③	CCC CE
		60	0.54	120	1100	3000/1785	4	52	④	CCC CE
YWF 6D-400S	380/400	50	0.31	100	930	2600/1530	/	49	③	CCC CE
		60	0.31	120	1100	3000/1765	/	52	④	CCC CE



Magnetron and spare parts



2911

PANASONIC
INVERTER
2M261-M3



2912

PANASONIC
INVERTER
2M261-M22



2913

PANASONIC
INVERTER
2M261-M36



2914

Installation: 35*2,
115*2
For SAMSUNG



2915

Galanz
M24FB-610A



2916

Galanz
M24FB-210A



2920

Motor
plastic/metal shaft
with/without wire
3rpm-5rpm



2921

Capacitors
2100v
0.75mf-1.20mf



2922

High voltage fuse
5KV 0.75A-20A



2923

Diodo
Round/square
1/2 direction

P/N: 2700



Diameter	Weight	feet	pcs/pallet
0245	540g	3	1664
0245	600g	flat	1728
0255	630g	3	1536
0270	720g	6	1008
0270	780g	6	1008
0284	980g	6	720
0305	1000g	3	864
0315	1250g	6	768
0320	1030g	3	864
0324	1150g	3	768
0325	1320g	3	720
0345	1260g	3	720
0360	1270g	flat	624



**220_240V-50HZ
70W 0.5A 4P
CAP 5MFD 440V-AC
1350RPM
CCA COPPER**



**220_240V-50HZ
70W 0.5A 4P
CAP 5MFD 440V-AC
1350RPM
CCA COPPER**



**220_240V-50HZ
70W 0.5A 4P
CAP 5MFD 440V-AC
1350RPM
CCA COPPER**



**220_240V-50HZ
70W 0.5A 4P
CAP 5MFD 440V-AC
1350RPM
CCA COPPER**



**220_240V-50HZ
70W 0.5A 4P
CAP 5MFD 440V-AC
1350RPM
CCA COPPER**



**220_240V-50HZ
70W 0.5A 4P
CAP 5MFD 440V-AC
1350RPM
CCA COPPER**





Series of Standard Charging Hoses for R12 & R22

Series of Standard Charging Hoses for R134

Series of Standard Charging Hoses for R410

Series of Heavy Duty Charging Hoses with Ball Valve for R410





MAYO



Name : 1.5 Meter, 2 Meter 3 Meter, 4 Meter, 5 Meter hose inlet pipe for Top Loading Fully Automatic Washing Machine Hose Pipe

Product Name : 1.5 Meter, 2 Meter 3 Meter, 4 Meter, 5 Meter hose inlet pipe for Top Loading Fully Automatic Washing Machine Hose Pipe

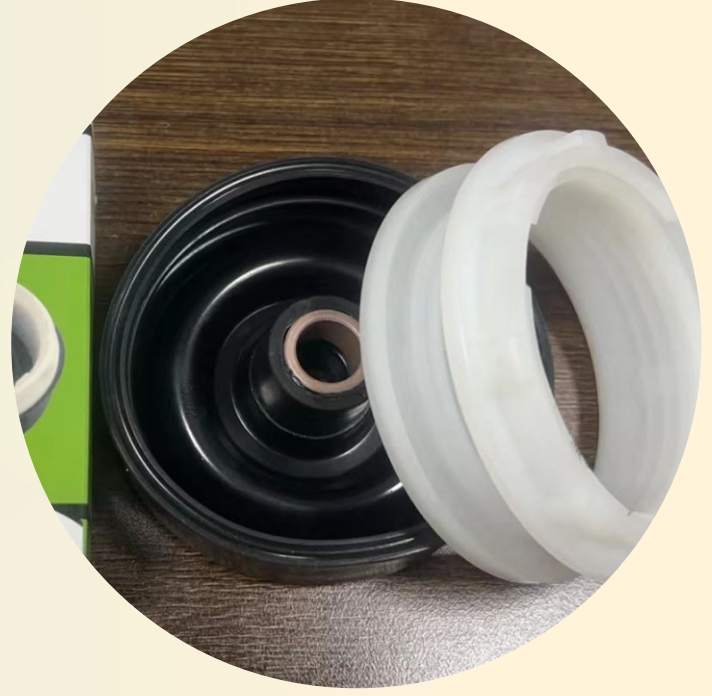
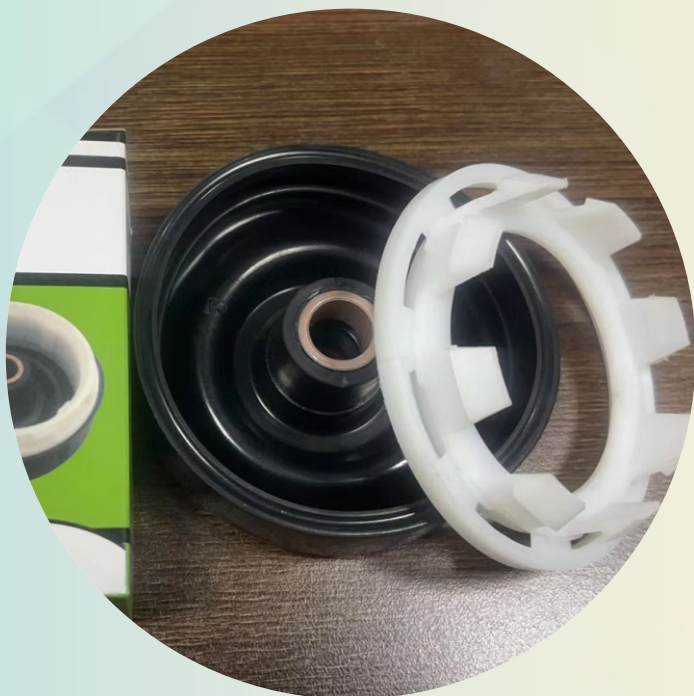
flexible PVC hot and cold water inlet hose pipe compatible for top load / loading fully automatic washing machine (LG, Samsung, Godrej, Whirlpool, Videocon, Onida, Intex, Bosch, IFB, Panasonic & Other Brands) and for size (5 kg, 5.2 kg, 5.5 kg, 5.8 kg, 6 kg, 6.2 kg, 6.5 kg, 6.8 kg, 7 kg, 7.2 kg, 7.5 kg, 7.8 kg, 8 kg, 8.2 kg, 8.5 kg, 8.8 kg, 9 kg, 10 kg etc.) with tap adapter to connect with tap. Note : Please measure the size of your tap and washing machine connector to make sure that this one is suitable for you. It can also be attached to EXTENSION Pipe in need of additional length.





MAYO

Spin Buffer Seal Compatible with Semi Automatic Washing Machines





MAYO

WRAPPING TAPE



corrosion resistant: The tape is corrosion resistant and heat resistant.

maximum durability: Made of high quality nonwoven fabric, heat insulation, waterproof and mildew resistance.

premium material: Made of premium material, soft and breathable, durable in use.

waterproof: Widely used for elastic band, nonslip, waterproof, stable and wear-resistant.





DILSHAD ANSARI

International Sea Cargo

Business Consultant

Washing Machine & A/C Parts

International Cargo



+91 77385 11977

Email: mayoelectricals@gmail.com

Address: Sundar Kamala Nagar Sion Rd Sion Mumbai-400022